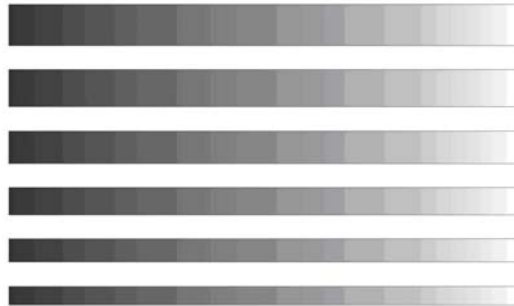




---

# RANGE HOOD OPERATING INSTRUCTIONS



Before using this range hood,  
please read these instructions  
completely.



**READ AND SAVE THIS INSTRUCTIONS**

**FOR DOMESTIC COOKING ONLY**

**Installer: Leave this manual with the homeowner.**

**Homeowner: Cleaning, Maintenance and Operating  
instructions on the coming pages.**

**RANGE HOOD ITEM NO.: K1007 SERIES/K1009**

**SERIES/K1019 SERIES**

**REFERRED MODEL NO.: 3388C/3388F/3388C2**



**NUMBER: E312110**

# READ AND SAVE THESE INSTRUCTIONS

**⚠ INTENDED FOR DOMESTIC COOKING ONLY ⚠**

## **⚠ ⚠ WARNING**

**TO REDUCE THE RISK OF FIRE, ELECTRIC SHOCK, OR INJURY TO PERSONS, OBSERVE THE FOLLOWING:**

1. Use this unit only in the manner intended by the manufacturer. If you have questions, contact the manufacturer at the address or telephone number listed in the warranty.
2. Before servicing or cleaning unit, switch power off at service panel and lock service panel to prevent power from being switched on accidentally. When the service disconnecting means cannot be locked, securely fasten a prominent warning device, such as a tag, to the service panel.
3. Installation work and electrical wiring must be done by a qualified person(s) in accordance with all applicable codes and standards, including fire-rated construction codes and standards.
4. Sufficient air is needed for proper combustion and exhausting of gases through the flue (chimney) of fuel burning equipment to prevent backdrafting. Follow the heating equipment manufacturer's guidelines and safety standards such as those published by the National Fire Protection Association (NFPA), and the American Society for Heating, Refrigeration and Air Conditioning Engineers (ASHRAE), and the local code authorities.
5. When cutting or drilling into wall or ceiling, do not damage electrical wiring and other hidden utilities.
6. Ducted fans must always be vented to the outdoors.
7. Do not use this unit with any separate solid-state speed control device.
8. To reduce the risk of fire, use only metal ductwork.
9. This unit must be grounded.

**TO REDUCE THE RISK OF A RANGE TOP GREASE FIRE:**

- A. Never leave surface units unattended at high settings. Boilovers cause smoking and greasy spillovers that may ignite. Heat oils slowly on low or medium settings.
- B. Always turn hood ON when cooking at high heat or when flambeing food (i.e. Crepes Suzette, Cherries Jubilee, Peppercorn Beef Flambe').
- C. Clean ventilating fans frequently. Grease should not be allowed to accumulate on fan or filter.
- D. Use proper pan size. Always use cookware appropriate for the size of the surface element.

## **⚠ ⚠ WARNING**

**TO REDUCE THE RISK OF INJURY TO PERSONS IN THE EVENT OF A RANGE TOP GREASE FIRE, OBSERVE THE FOLLOWING:\***

1. SMOTHER FLAMES with a close-fitting lid, cookie sheet, or metal tray, then turn off the burner. BE CAREFUL TO PREVENT BURNS. If the flames do not go out immediately, EVACUATE AND CALL THE FIRE DEPARTMENT.
2. NEVER PICK UP A FLAMING PAN - You may be burned.
3. DO NOT USE WATER, including wet dishcloths or towels - violent steam explosion will result.
4. Use an extinguisher ONLY if:
  - A. You know you have a Class ABC extinguisher and you already know how to operate it.
  - B. The fire is small and contained in the area where it started.
  - C. The fire department is being called.
  - D. You can fight the fire with your back to an exit.

\* Based on "Kitchen Fire Safety Tips" published by NFPA.

## CAUTION

---

1. To reduce risk of fire and to properly exhaust air, be sure to duct air outside. Do not vent exhaust air into spaces within walls or ceilings or into attics, crawl spaces, or garages.
2. Take care when using cleaning agents or detergents.
3. Avoid using food products that produce flames under the Range Hood.
4. For general ventilating use only. Do not use to exhaust hazardous or explosive materials and vapors.
5. To avoid motor bearing damage and noisy and/or unbalanced impellers, keep drywall spray, construction dust, etc. off power unit.
6. Your hood motor has a thermal overload which will automatically shut off the motor if it becomes overheated. The motor will restart when it cools down. If the motor continues to shut off and restart, have the hood serviced.
7. For best capture of cooking impurities, the bottom of the hood should be a minimum of 24" and a maximum of 33" above the cooking surface.
8. Two installers are recommended because of the large size and weight of this hood.
9. This product is equipped with a thermostat which may start blower automatically. To reduce the risk of injury and to prevent power from being switched on accidentally, switch power off at service panel and lock or tag service panel.
10. Use with approved cord-connection kit only.
11. Please read specification label on product for further information and requirements.

# PREPARE THE HOOD

Unpack hood and check contents.

You should receive:

1 - Hood

1 - Decorative Flue Assembly

1 - Parts Bag containing:

1 - Mounting Bracket

1 - Vent

1 - Duct fixing support

1 - Slidery duct fixing support

7 - Mounting Screws (4 x 50mm)

8 - Mounting Screws (4 x 8mm)

4 - Mounting Screws (4 x 25mm for glass installation)

4 - Glass washer (for glass installation)

4 - Rubber washer (for glass installation)

9 - Drywall Anchors (2 for  $\phi$  8 holes)

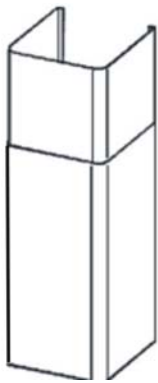
2 - Mounting Screws (4 x 35mm for  $\phi$  8 holes)

2 - Washer (for  $\phi$  8 holes)

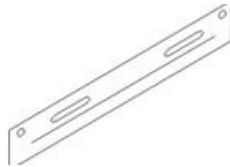
1 - Aluminum Flex Duct

1 - Installation Instructions

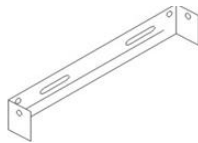
1 - Warranty Card



DECORATIVE  
FLUE



DUCT FIXING SUPPORT



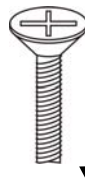
SLIDERY DUCT FIXING SUPPORT



VENT



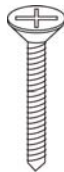
MOUNTING  
SCREWS (4  
X 8MM)



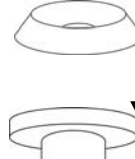
MOUNTING  
SCREWS  
(4 X 25MM)



DRYWALL  
ANCHORS



MOUNTING  
SCREWS (4 X  
50MM)



GLASS  
WASHER



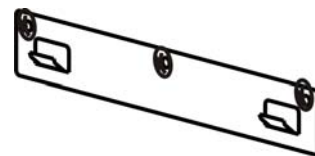
RUBBER  
WASHER



MOUNTING  
SCREWS (4  
X 35MM)



ALUMINUM  
FLEX DUCT



MOUNTING  
BRACKET



WASHER

## **WARNING**

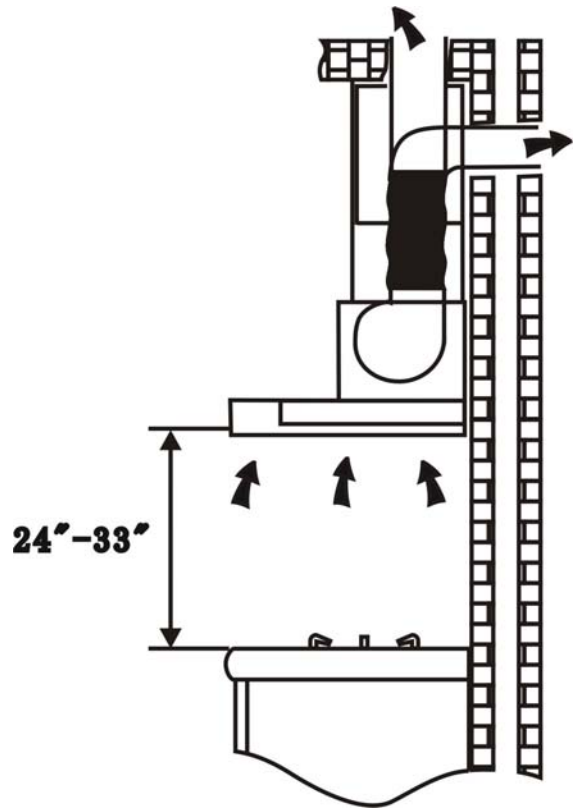
**Note:** This range hood must be properly grounded. The unit should be installed by a qualified electrician in accordance with all applicable national and local electrical codes.

The minimum hood distance above cooktop must not be less than 24". A maximum of 33" above cooktop is highly recommended for best capture of cooking impurities. Distances over 33" are at the installer and users discretion.

## **INSTALL THE DUCTWORK**

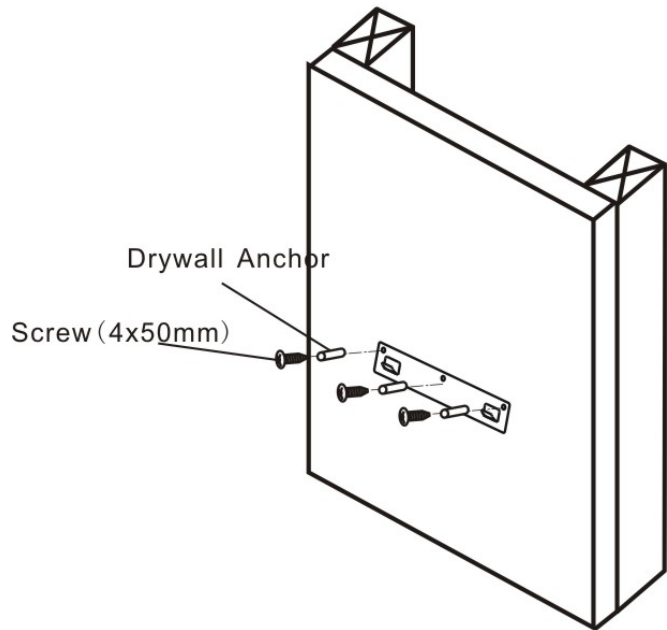
**NOTE:** To reduce the risk of fire, use only metal ductwork.

1. Decide where the ductwork will run between the hood and the outside.
2. A straight, short duct run will allow the hood to perform most efficiently.
3. Install the Aluminum Flex duct on the vent towards hood location.



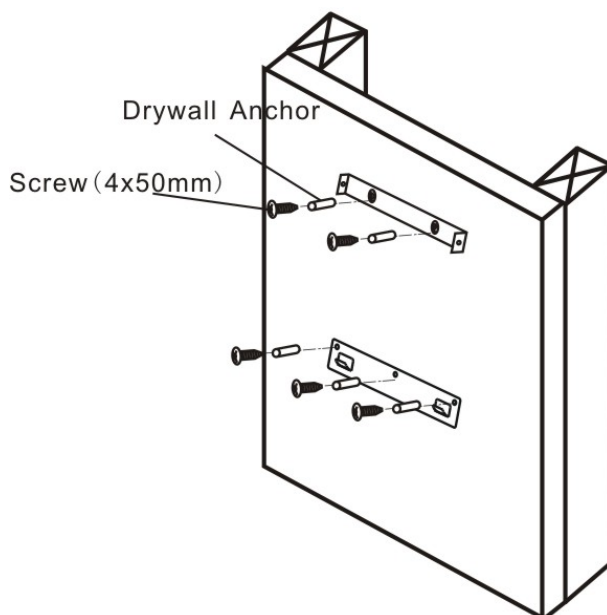
## **INSTALL MOUNTING BRACKETS**

1. After evaluating the height of the hood, place the hook center over installation location. Drill 3 holes of Ø8mm on a suitable place to fix the mounting brackets.
2. Put the drywall anchors into the holes and fix the mounting screws (4x50mm) into the anchors, and install the hook on the wall as shown.



## **INSTALL SLIDERY DUCT FIXING SUPPORT**

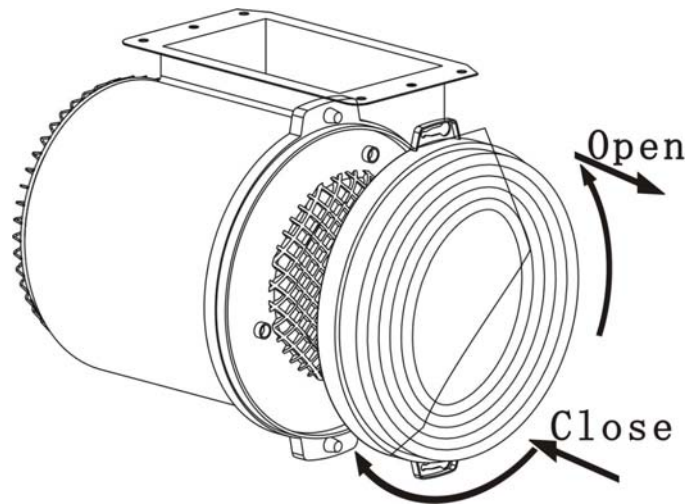
1. Calculate the final height of the U-shaped section, drill 2 holes of Ø8mm on a suitable place in line with the slidery duct fixing support.
2. Put the drywall anchors into the holes and fix the mounting screws (4x50mm) into the anchors, and install the hook on the wall as shown. (The rest two pares of 4x50mm screw and drywall anchors are for spare)



# **NONE-DUCTED RECIRCULATION FILTER INSTALLATION**

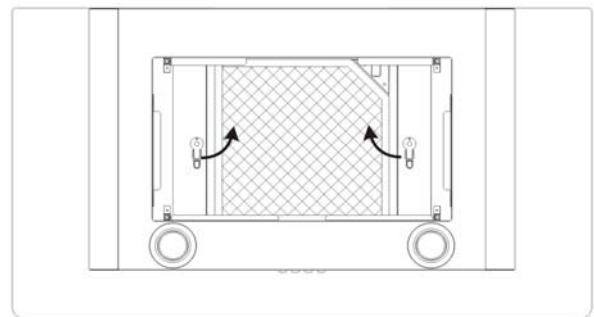
## ***Type-A***

1. Purchase a non-ducted recirculation filter from your dealer.
2. Install the filter by rotating it onto the equipment which is stands on two sides of the motor.

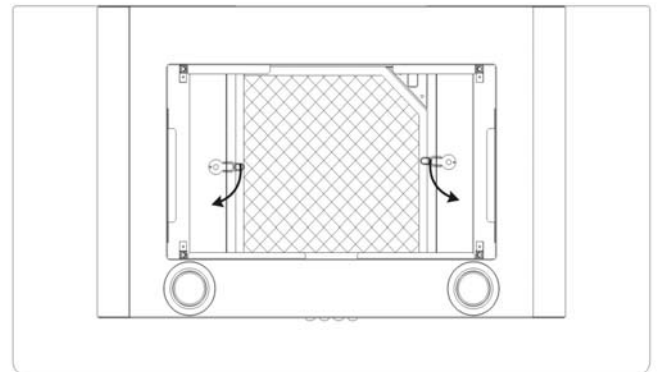


## ***Type-B***

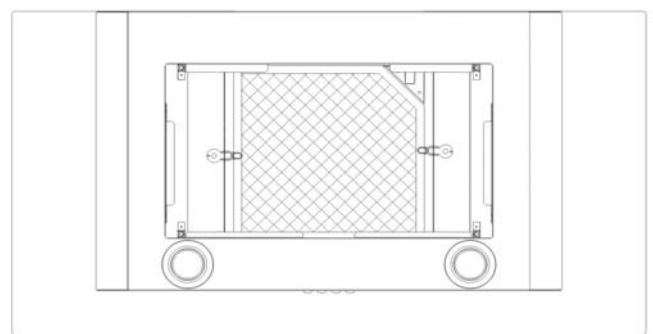
1. Purchase a non-ducted recirculation filter from your dealer.
2. Press the handle of the metal grease filter towards the rear part of the unit until it is released from the front housing, and remove it by pressing downwards.
3. To move the handle inside the cooker hood. See Step 2. Remove the old carbon filter away.
3. Place the new carbon filter on the suction conduit, holding the filter by hand. Turn the handle into one parallel. See Step 1 and Step 2 and step 3.
4. Reposition the anti-grease metallic filter grilles.



Step1: To lock the ear



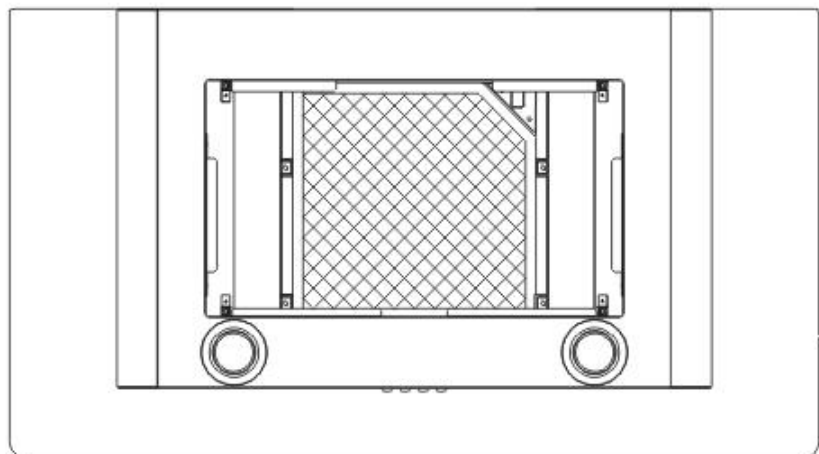
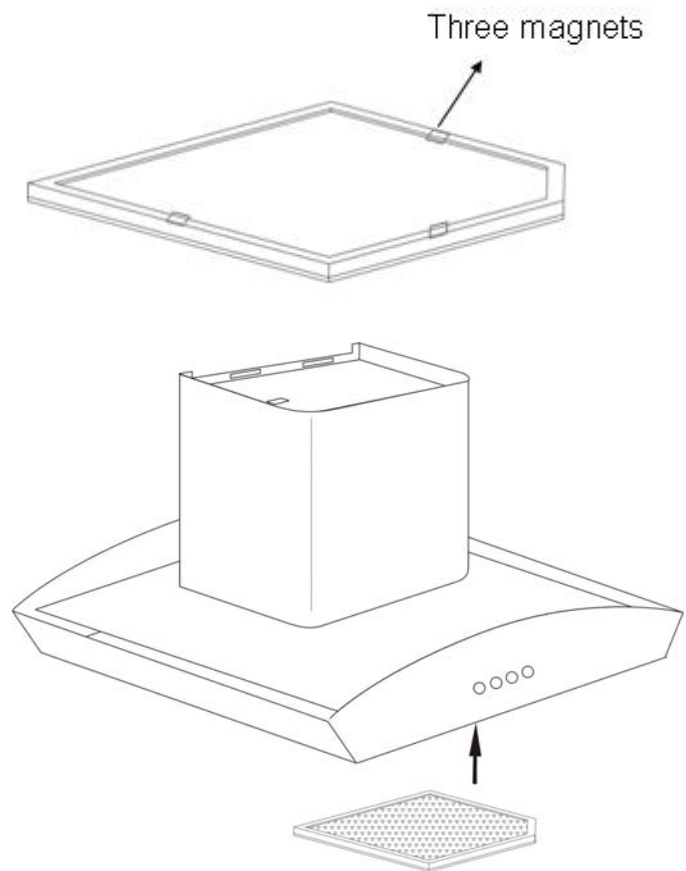
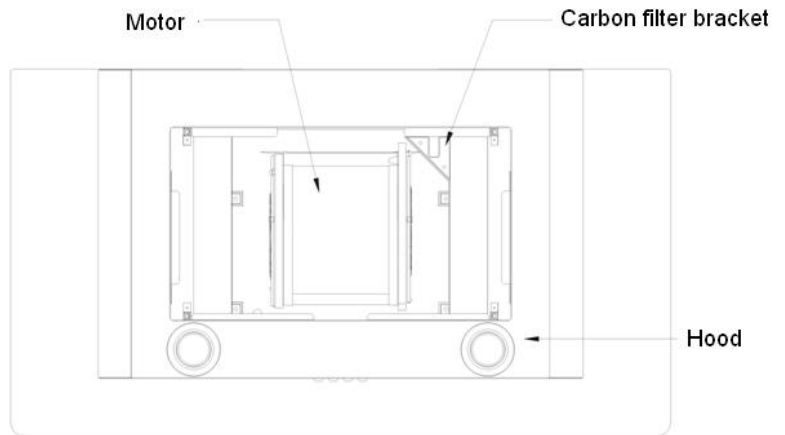
Step 2: unlock the carbon filter



Step3: Well fixed.

**Type-C**

1. Purchase a non-ducted recirculation filter from your dealer.
2. Triangle shape and carbon filter bracket used for fixing the square carbon filter.
3. Fill the carbon filter base on the triangle corner
4. The magnets will make the carbon filter sucked on the hood!

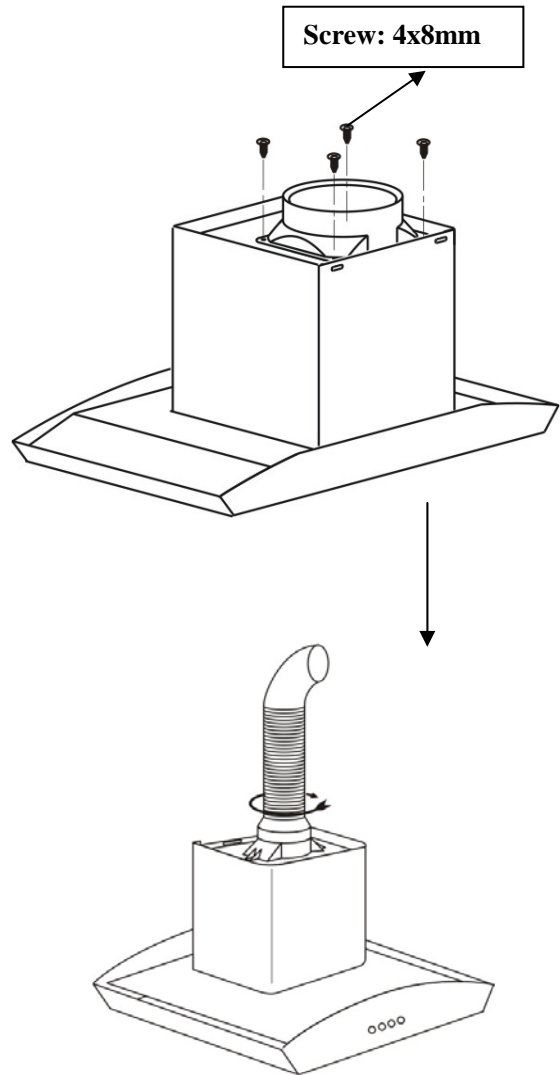




## PREPARE THE HOOD

**Note:** On stainless steel hoods, carefully remove the plastic protective film from all exterior surfaces of the hood and decorative flues, prior to final installation.

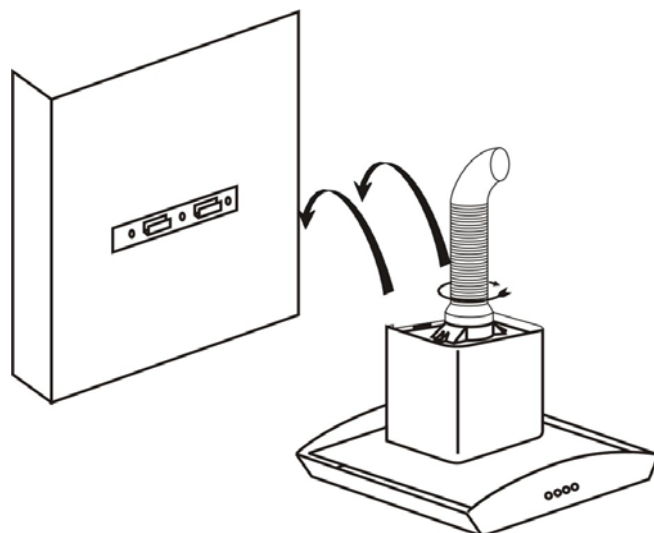
5. Pick out the hood from the carton.
6. Install the vent into the duct connector of the cooker hood.
7. Fix the extensive pipe onto the vent.



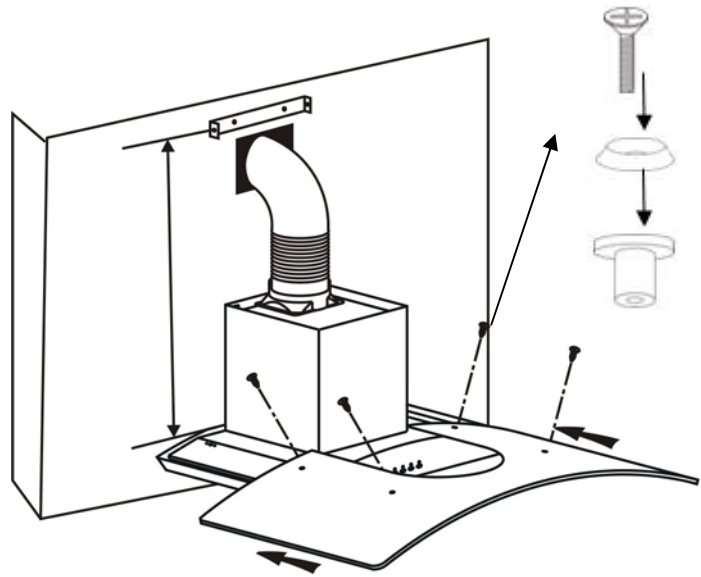
## INSTALL THE HOOD

**Note:** at least two people will be required to mount the hood.

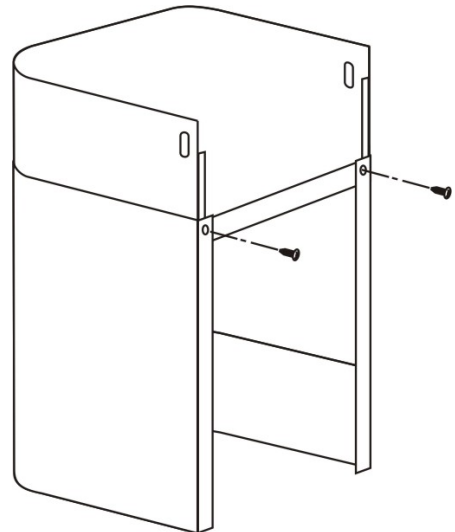
1. Raise the hood into its mounting position.
2. Align the rectangular opening on the back of the hood with the wall-mounting bracket. Gently lower the hood until it securely engages the bracket.
3. Open the Al. filter and find the two  $\phi 8$  holes on the back of the hood. Level the hood with 2 mounting screws (4\*35mm) with washer. Use drywall anchors provided.



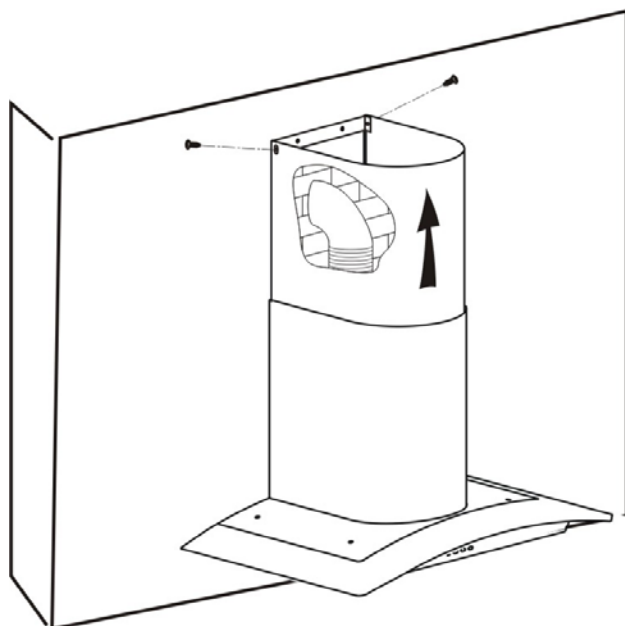
4. Put the glass in the lead way, use four screws (4x25mm) with glass washer and rubber washer to fix the glass. (Note: the screws and washers should be install as shown.)



5. Measure the height of the glass to the sliding duct fixing support. Adjust the height of the chimney according to the height. Then use the duct fixing support with two screws (4x8mm) to fix the chimneys. Shown as in the pic.



6. Put the chimney on the hood, use two screws (4x8mm) to fix the chimney to the sliding duct fixing support.



## **MAINTENANCE**

---

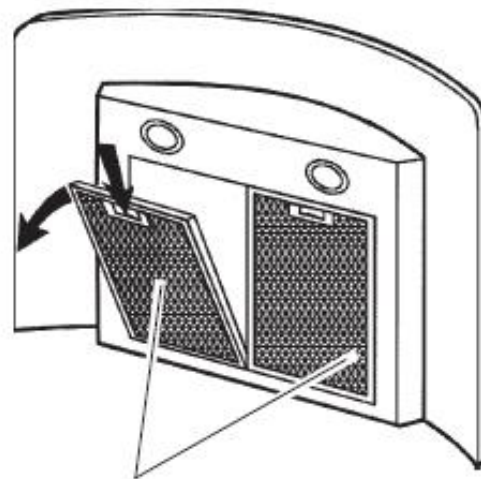
Proper maintenance of the Range Hood will assure proper performance of the unit.

### ***Filters***

The filters must be cleaned approximately once every 30 hours of operation (when the central segment on the display goes on or starts blinking).

Use a warm detergent solution. Grease filters are dishwasher safe.

Remove filter by pushing filter towards the back of hood and rotating filter downward.



**Filters**

### ***Ductfree(Carbon) Filters***

The ductfree filters should be changed every 6 months. Rotate the filters to remove and replace.

### ***Hood Cleaning***

Stainless steel is one of the easiest materials to keep clean. Occasional care will help preserve its fine appearance.

Cleaning tips:

- Hot water with soap or detergent is all that is usually needed.
- Follow all cleaning by rinsing with clear water. Wipe dry with a clean, soft cloth to avoid water marks.
- For discolorations or deposits that persist, use a non-scratching household cleanser or stainless steel polishing powder with a little water and a soft cloth.
- For stubborn cases, use a plastic scouring pad or soft bristle brush together with cleanser and water. Rub lightly in direction of polishing lines or "grain" of the stainless finish. Avoid using too much pressure which may mar the surface.
- DO NOT allow deposits to remain for long periods of time.
- DO NOT use ordinary steel wool or steel brushes. Small bits of steel may adhere to the surface causing rust.
- DO NOT allow salt solutions, disinfectants, bleaches, or cleaning compounds to remain in contact with stainless steel for extended periods. Many of these compounds contain chemicals which may be harmful. Rinse with water after exposure and wipe dry with a clean cloth.

Painted surfaces should be cleaned with warm water and mild detergent only.

# OPERATION

## Controls

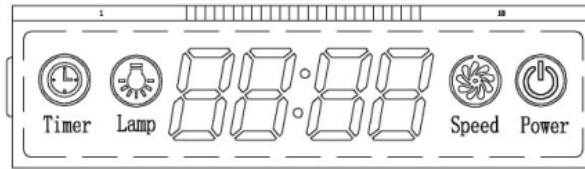
Always turn the hood ON before cooking in order to establish an air flow in the kitchen. After turning off the range, let the hood run for a few minutes to clear the air.





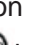






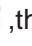




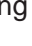
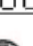





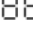






### ● Electronic Button(Brighting words button and blue ring button)

1. Power: When power-on ,the output is off ,and the machine is standby.
2. “light” key Press the key once,the lamp is lit.Once more,the lamp put out,and this operation is a circulation.
3. The Add key “+”,also the switch that control power-on .The motor has three speed : low、 medium、 high.
  - 1) Press the “+” key once,the motor start working,with its low speed(that the switch control the power-on,and the speed indicator is lit.
  - 2) At the low speed,Press the “+” key again to shift up to medium speed.Then the position indicator is lit.
  - 3) Press the “+” key when the motor at its medium speed.It will be shift up to high speed.Then the “—” position indicator is lit,the “+” position indicator is put out.
  - 4) when the motor at its high speed,prss the “+” key again,the motor will work at its normal condition.Of course,working at its high speed.
4. The Dec key:“—”,also the switch that control the power-off.
  - 1) Press the “—” key once ,the motor will shift down one level,Continully press the Dec key till the machine at no speed,then the switch control power-off.(the motor stop working),the speed indicator is put out.
5. The Timer key “⌚”:
  - 1) The timer key is used for timing setting,when the motor or lamps are working.10min delay,the motor will be off work.

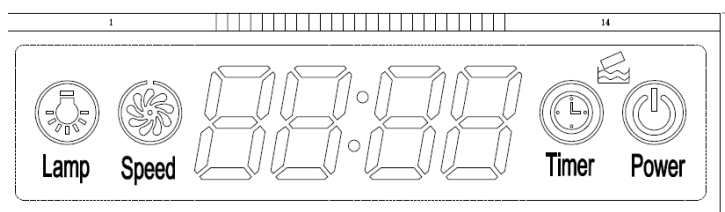



● LCD electric control



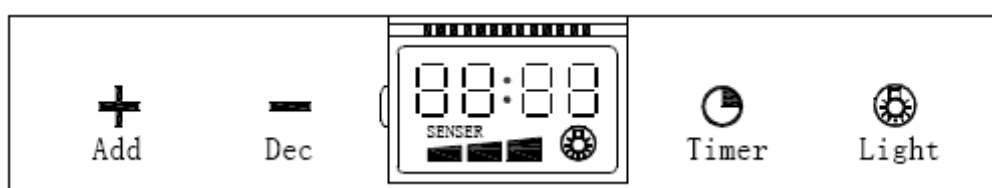
1. Power on: Switch on the power supply, and the backlight is lit, displaying “24-hour system”. The output is then blocked up, and the soot machine enters standby status. The backlight disappears automatically 30 seconds later under the condition of none operation.
2. Press “Lamp” key: Press the indicator key once, the indicator is lit, and  on the LCD screen is lit. Press it for a second time,  of the indicator and the LCD screen will distinguish, and it will be repeated again and again. The Lamp work independently, not controlled by Timer and Power.
3. Power on key , the motor is provided with three positions, i.e. low, medium and high.
  - 1) Press key , the  is displayed on the display screen, and the motor start work, it is the low position (power on position), and the key  also lit.
  - 2) Press  key once more at the low position, and it transfer to medium position.  key keep lit and work.
  - 3) Press  key once more at the medium position, and it transfer to high position,  key keep lit and work.
  - 4) It could be chose “low position-medium position-high position-low position-medium position.....” by  key under working position..
4. Press key , the motor is adjusted., press key  once more, the motor is stopped.  icon and  power off on display.
5. Timer key : it has been set on 12:00, when power off, it also show 12:00. Customer need to set the time again.
  - 1) The timer key is the timer setting key if the speed and lamp don't work at both position.
    - ① Long press timer key  for 2-5 seconds, time segment  and the first two hour bit segment flash, use key  for the digit increase, use  key for the digit decrease. Namely: The variable is 01 each time it is pressed; the hour segment is with the largest digit of 23. If it exceeds 23,  key is null and void. If it is equal to 00, then the  key is null and void.
    - ② Press the timer key for the 2nd time , time segment , and the last two minute bit segment flash, se key  for the digit increase, use  key for the digit decrease. Namely: The variable is 01 each time it is pressed; the hour segment is with the largest digit of 59. If it exceeds 59,  key is null and void. If it is equal to 00, then the  key is null and void.
    - ③ Press the timer key , and it is the time setting exit and confirm key.
    - ④ Long press timer key  for 2-3 seconds under this operation mode, and it is for the hour setting; Press it for the 2nd time: Setting for the minute; Press it for the 3rd time: For the time setting exit and confirm, and it will be repeated again and again (if the 1st time pressing doesn't exceed 2 seconds, then it can't run this operating procedure.)
  - 2) The timer key is the timer setting key when the motor is working. When only press Lamp key, the timer key is null and void.
    - ① Press timer key, enter the setting display. 1st time setting is 5 min. Use speed key for increase gradually, use lamp key for decrease gradually, the time should be set 1:00—60:00 min. Finish setting, press timer key to confirm.
    - ② Example: Let the setting time be 5min, the display is 5:00, 4:59, ...00:1, with 0:00 displays per minute, and once “00: 00” appears, the motor position and the indicator power supply will be cut off automatically, (the display screen displays “24-hour system”, the output is blocked up, and the soot machine enters standby status, and the backlight will be put out automatically 30 seconds later.)
    - ③ When use time setting next time, press timer key and not change timer setting, the soot machine will keep the time automatically . 5 min later, it starts to decrease gradually. If reset the time, it will work for new time.

















## Filter cleaning reminding



When the hood is accumulatively used by 20 Hours, there is icon flash as above picture which remind you to clean the filters. Please press button  by seconds, then the icon will disappear. the hood will calculate the timing again.

## ● LCD touch control



1. Power: When power-on ,the backlight is lit .then showing the “24-hour system” ,the output is off, and the machine standby .Without any operation, the backlight disappear automatically after 30 seconds.
2. “Light” key: Press that key once, the lamp and the “” is lit. Press the key once more, the light of the lamp and “” will be disappear, and it is a circulation of this operation.
3. The Add key “+”, also the switch that control power-on. The motor has three speed :low、medium、 high.
  - ①.Press the key + once ,the  is displayed on the screen ,and the motor work,  means low speed(the switch that control power-on.)
  - ②.Press the key + when at the low speed .the  will be displayed on the screen,  means medium speed.
  - ③.When it is at the medium speed ,press the key + again. The  will be displayed on the screen ,  means at high speed.
  - ④.Press the key + once more at the high speed, the  still on the screen ,the motor work normally ,the machine still at high speed.
4. The Dec key “-”, also the switch that control the power-off
  - ①.Press the “-” key once ,the motor shifts down one level, and the a peed will be displayed on the screen at the same time; Continually press the Dec key till the machine at no speed, the switch control power-off(the motor stop working).
5. Timer key “” :
  - 1.the timer key is used to setting time, when the speed and lamp don’t work.
    - ①.Long press timer key  for 2-3 seconds, time segment  ,and the first two number for hour setting will flash. The + is used to increase the number, and the - is used to decrease. Namely: The variability is 01 each time when it is pressed once. And the largest digit is 23.the + key can’t work when exceeded. If it is equal to 00,the - key can’t work.
    - ②.Press the timer key  for the second time. time segment  ,and the last two number for minute setting will flash. Then the + key is used to increase the digit, the - key is used to decrease. Namely: The variability is 01 each time when it is pressed. The largest digit is 59.And the +key can’t work when exceeded, If it is equal to 00,the -key can’t work.
    - ③ Press the timer key  for the third time, and it means time setting exit and confirmation.
    - ④ Long press the timer key  for 2-3 second under this mode, it is for the hour setting. Press it for the second time: minute setting. Press it for the third: time setting exit and

confirmation. And when it is pressed, it will repeat the action again and again (It can't run this procedure, if the first time pressing doesn't exceed 2 seconds)

2. The timer key is used for timing setting, when the motor or lamps are working.

①. There are three periods of time: 5min, 15min, 30min and cancel timing. First time setting is 5min, Second time setting is 15min, the third setting is 30min, and the fourth pressing is for cancelling. The fifth is 5min, the sixth is 15min. Then repeated again and again.

②. eg: Let the setting be 15min, then the display is 00:15, 00:14, ..... 00:01, 00:00, per minute display. Once the "00:00" displayed, the motor and the lamps' power will be cut off automatically, (the "24-hour system" is displayed on the screen, and the output is off. The machine standby, and the backlight will disappear automatically after 30 seconds.)

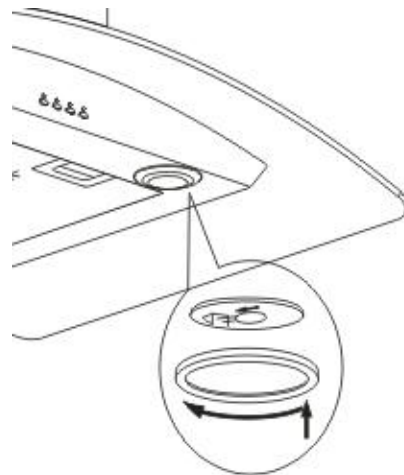
③. Shifting the time segment, it starts to decrease gradually after 5 seconds. (eg: the 15min shift to 30min, 5 seconds delay, 00:30 will be decrease gradually on the screen.)

## **HALOGEN BULBS**

**ALWAYS SWITCH OFF THE ELECTRICITY SUPPLY BEFORE CARRYING OUT ANY OPERATIONS ON THE APPLIANCE.**

To change bulbs:

1. Rotate the cover in anticlockwise, as shown. CAUTION: BULB MAY BE HOT, PLEASE ROTATE WHEN THE BULB IS COOL!
2. Replace with a Type JC, 12Volt, 20Watt Max, G-4 Base bulb. Do not touch replacement bulb with bare hands! If the bulb is touched with the bare hand, it should be cleaned with a lint-free cloth moistened with methylated spirit.

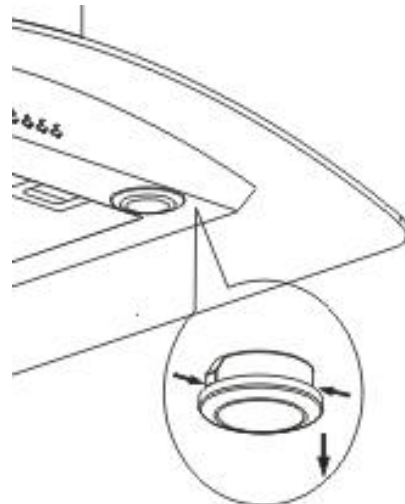


## **LED LIGHTS**

**ALWAYS SWITCH OFF THE ELECTRICITY SUPPLY BEFORE CARRYING OUT ANY OPERATIONS ON THE APPLIANCE.**

To change the light:

1. Open the filter and find the spring of the light, push the spring and the light will slip out. Change the light as with same kind of 4Volt, 3 Watt LED light. CAUTION: LIGHT MAY BE HOT, PLEASE ROTATE WHEN THE LIGHT IS COOL!



## **WARRANTY**

---

We will warrant this product free from defects in material and quality for one year and motor for 5 years. If any problems occur from correct usage, please contact the service department for under warranty service.

This warranty does not cover the following:

The filter mesh and bulb.

Commercial use.

Amendment of the date of manufacture on the rating plate.

Damaged caused to the body by usage of detergent sprayer.

Pollution made to the led parts, glass parts and S/S parts.

Incorrect installation, misuse, abuse or neglect.

Incorrectly fitted to insufficient or unsuitable power.

Taken apart or serviced by unauthorized service engineers or replaced with other manufacture's components.

For commercial use the maintenance and free service should be discussed with our authorized agent.

Beyond the 12 month limited warranty period, the purchaser should pay for charge of components and call out.

In the event of a service call, please provide the warranty card and receipt of date of purchase.



**K-Star International Group Inc.**  
**K-Star Electronic Appliance Inc.**

Toll Free:(800) 893-2168

Email:info@kstarus.com

<http://www.kstarus.com>