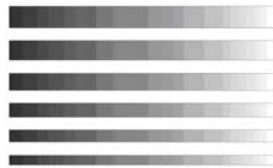




RANGE HOOD OPERATING INSTRUCTIONS



Before using this range hood,
please read these instructions
completely.



**READ AND SAVE THIS INSTRUCTIONS
FOR DOMESTIC COOKING ONLY**

Installer: Leave this manual with the homeowner.

Homeowner: Cleaning, Maintenance and Operating instructions on the
coming pages.

RANGE HOOD ITEM NO.: K1031 & K1031A

REFERRED MODEL NO.: CXW-200-04B



NUMBER: 228791

**K-Star International Group Inc.
K-Star Electronic Appliance Inc.**

Toll Free:(800) 893-2168

Email:info@kstarus.com

<http://www.kstarus.com>

■ TABLE OF CONTENTS

※ Warning.....	P1-2
1. Installation Instruction.....	P3
2. Operation of Switch.....	P4
3. Dismantling, Cleaning and Re-installation.....	P4-7
4. Main Parts.....	P8
5. Cleaning Maintenance.....	P9
6. Trouble Shooting.....	P10
7. Safety Notes.....	P11
8. Specification.....	P12
9. Circuit Assembly Drawing.....	P12
10. One Touch Automatic Cleaning Programme.....	P13-14
11. Body Size.....	P15

WARNING

Disconnect the electric power before repairing, replacing or cleaning to this appliance.

For general ventilating use only. Do not use to exhaust hazardous or explosive materials and vapors.

Sufficient air is needed for proper combustion and exhausting of grease through the flue (chimney) of fuel burning equipment to prevent back drafting.

Do not light up fire under the cooker hood. Never place a switch where it can be reached from a tub or shower.

Must utilize reliably grounded socket of power source

If the supply cord is damaged, it must only be replaced by an authorized person or qualified electrician.

There is a fire risk if cleaning is not carried out in accordance with the instructions.

To prevent fire risk, cleansing smoke ventilator by using flammable and volatile dissolvent is forbidden, such as alcohol, banana oil or gasoline and so on. What is more, wear rubber gloves to prevent mental wound, and disconnected parts should be treated gently to prevent distortion

WARNING

The minimum distance between the cooker hob surface and the lowest part of the cooker hood is 25.6"~27.6" if the cooker hood is installed over a gas cooker.

Be careful while you are cleaning the hood, making sure that the motor and the electrical parts are forbidden to contact with the water. Do not distort the parts or remove the bob-weight to avoid causing shake and louder noise thereby..

Disconnect the electric power if do not use the cooker hood for a long time

Never leave surface units unattended at high settings. Bouovers cause smoking and greasy spillovers that may ignite, heat oils slowly on low or medium settings.

This appliance is not intended for use by young children, or infirm persons without supervision.

1. Installation Instruction

- ◆ Installation must be carried out by an authorized/qualified technician.
- ◆ Before installation, plug in and check if all switches are functional.

Environment:

1. For efficient air extraction, avoid opening too many windows surrounding cooker hood for it will cause air convection which prevents cooking fume going up to the cooker hood effectively.

Installation Height:

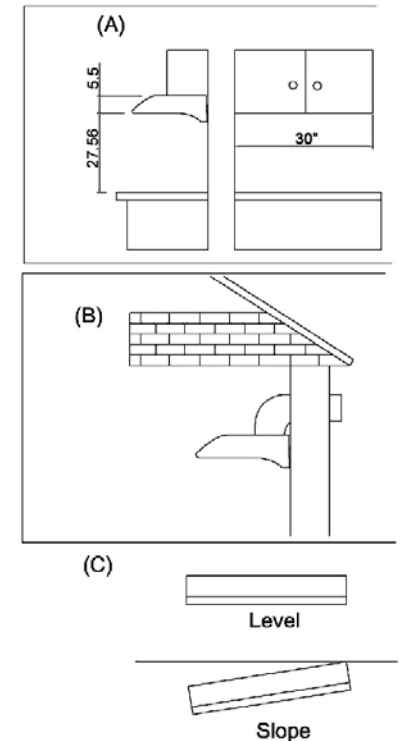
2. The distance between the hob and the lower part of the hood must be at least 25.6"~27.6". **Fig(A)**

Exhaust duct length:

3. The length of the exhaust duct should be minimized to avoid air turbulence inside the duct. **Fig(B)**

Balance level:

4. The installation of the hood should remain level to avoid oil spill-over from oil collectors. **Fig(C)**



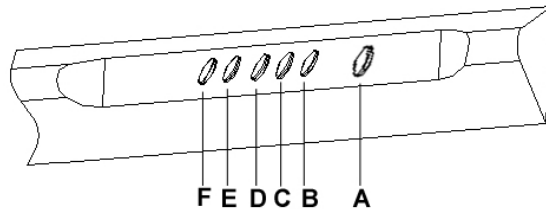
Note: All the installation or maintenance must be done by qualified technician in accordance with all the instructions specified in this booklet. The importer or the manufacturer would not be held any responsibility for any damage or injury caused due to mis-use or mis-handling of the hood.

2. Operation of switch

When cooking, please turn on the range hood.

■ 6 Switch board

- A. Auto clean switch
- B. Power switch
- C. Low speed
- D. Middle speed
- E. High speed
- F. Lamp

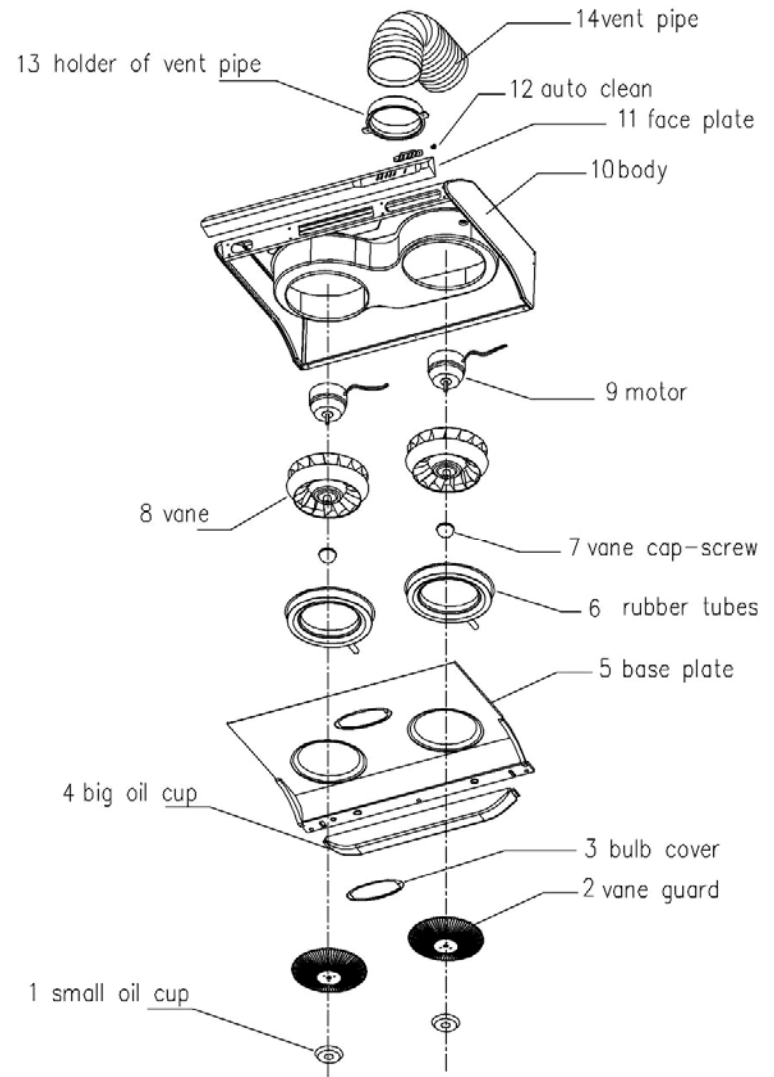


3. Dismantling, Cleaning and Re-installing

■ NOTE

1. Whenever dismantling, re-installing or cleaning the cooker hood, please always unplug the power plug.
2. When dismantling, re-stalling or cleaning, please always wear latex or rubber gloves for safety.
3. Never spill or spray water to motors directly.
4. Any wires or power cord damaged, please contact manufacturer, service agent or qualified technicians for repairing. DO NOT repair the cooker hood by yourself.
5. Before dismantling, cleaning and re-installing, please know well about name, quantity and location of dismantled parts to avoid of shortage and mis-installation.

Dismantling & Re-installing Chart



Dismantling

1. First, take off ④ big oil cups and ① small oil cups.
2. Turn anti-clockwise direction to loosen six screws in the front right/left side of ⑤ base plate to take off the base plate.
3. Revolve clockwise direction to take ②/ ⑥ vane guard/oil guide plates off.
4. Hold the ⑧ vane then revolve clockwise direction to take ⑧ vane cap-screw off and pull out vane simultaneously.

Cleaning

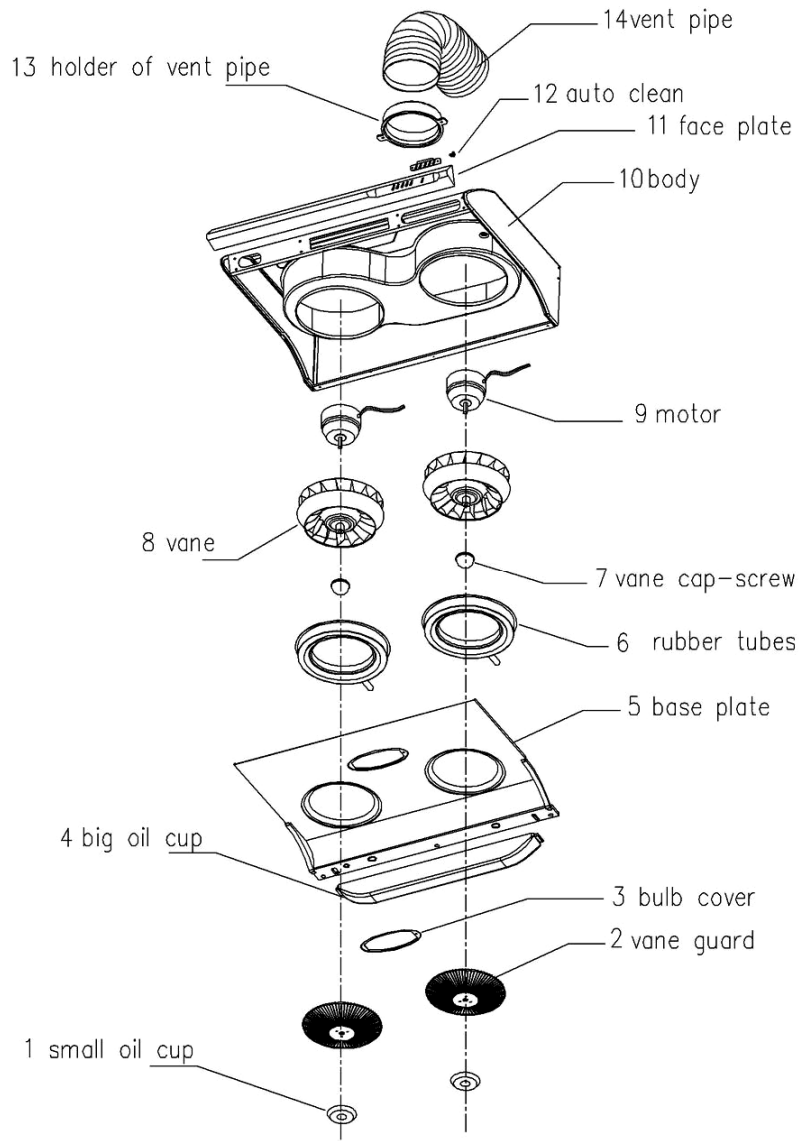
To immerse all the dismantled parts in neutral detergent water for 30 minutes then wash by nylon brush and dry those parts before re-installing.

Note: ⑥ oil guide, ② vane guard and ① small oil cup as a set, however, they can still be dismantled individually.

Reinstalling

1. When reinstalling ⑧ vane, the vane must be locked on to the pin of motors.
2. Anti-clockwise direction to fasten ⑦ vane cap screw.
3. Anti-clockwise direction to revolve ②/⑥ vane guard/oil guide plate back to original position.
4. End edge of base plate to connect the ⑩ body (as seen on the chart) then push base plate upward, follow clockwise direction to fasten screws.
5. Reinstall ④ big oil cups, ① small oil cup in orders.

4. Main Parts



5. Cleaning maintenance

Always disconnect the power before cleaning.

1. Use neutral detergent to clean surface of the hood each time after use
2. Clean both exterior and interior of the hood at regular intervals can keep the hood more long lasting. Do not use abrasive cleanser.
3. Fan protection grille can be detached for cleaning by removing the screws with a screwdriver. It must be reinstalled after clean.
4. The oil cup in the center of the hood for holding grease can be detached and cleaned regularly.
5. Make a habit to turn on the hood before stove to avoid high heat in the kitchen.
6. Clean oil collectors when they are more than half filled with oil to avoid spill-over.

6. Trouble shooting

Status	Method of fixing
Bulb does not light	<ol style="list-style-type: none">1. Check for blow bulb2. Check for damaged switch
Motor does not work	<ol style="list-style-type: none">1. Check connection of power plug2. Check whether the vane is blocked3. Lubricate the motor4. Repair or replace damaged switch5. Replace the capacitor6. Replace the motor
Machine vibrates when switch on	<ol style="list-style-type: none">1. Fasten the body2. Check for damaged vanes3. Check if the vanes are installed well4. Fasten the motor
Big noise	<ol style="list-style-type: none">1. Regulate bob-weight or replace the vanes2. Check whether some matters drop into the air chamber.
Weak suction	<ol style="list-style-type: none">1. Lower the hood properly2. Do not open too many windows for improving the suction environment3. Downwards the duct ora4. Replace the motor and the capacitor
Oil leakage	<ol style="list-style-type: none">1. Remain the body level2. Replace the sealant
Unworkable cleaning	<ol style="list-style-type: none">1. Replace the cleaning bump2. Replace the control machine

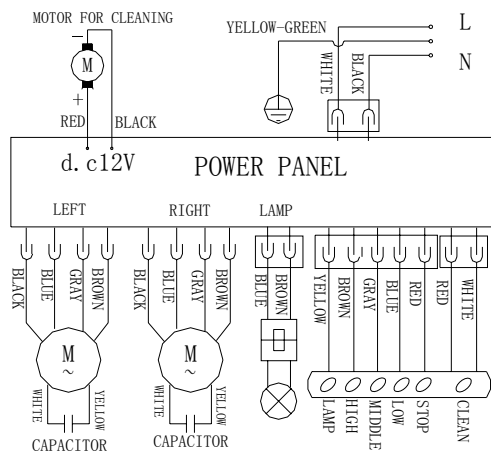
7. Safety Notes

1. This product must be grounded. If you are unfamiliar with methods of installing electrical wiring, secure the services of a qualified electrician.
2. Turn off power before dismantling, re-installing and cleaning.
3. The exhaust duct must be exposed outdoors. Do not exhaust air into spaces within walls or ceilings or into attics, crawl spaces or garages.
4. The air must be well aerated in case hood and some other heat equipment fed with an energy other than electricity (gas, oil, coal heaters, etc.) operated at the same time.
5. The air collected must not be conveyed into a duct used to blow off smokes from appliances fed with an energy other than electricity (central heating systems, thermosiphons, water-heaters, etc.).
6. When frying, take particular care to prevent oil and grease from catching fire. Already used oil is especially dangerous in this respect.
7. To avoid possible risks of fire always comply with the instructions when carrying out any cleaning or servicing operations on the appliance.

8. Specifications

Voltage	110V-120~ / 60Hz	
Rotating method	Twin Motors	
Outlet diameter	6 Inch (150mm)	
Illumination	≤ 40W (Source locally, not supplied)	
Motor	Left	Right
Power consumption	100W	100W
Input power for cleaning	8W	
Air Flow	250-780 CFM	
Body Size	30"×22"×7.87" or 36"×22"×7.87"	

9. Circuit Assembly Drawing Two Motors Cooker Hood



10. One Touch Automatic Cleaning Programme

Functions: The cooker hood shall be cleaned by using the special cooker hood cleaner available in the market. After the cleaner is mixed with water (ratio 1: 5), the cleaner mixture shall be poured into the cleaner storage unit and stored in the cooker hood for cleaning later. The cleaning process works on the centrifugal force and cleaning power generated by revolving the motors at high speed, it keeps the inside of the cooker hood clean and prolongs the life of the cooker hood.

Operating Instructions:

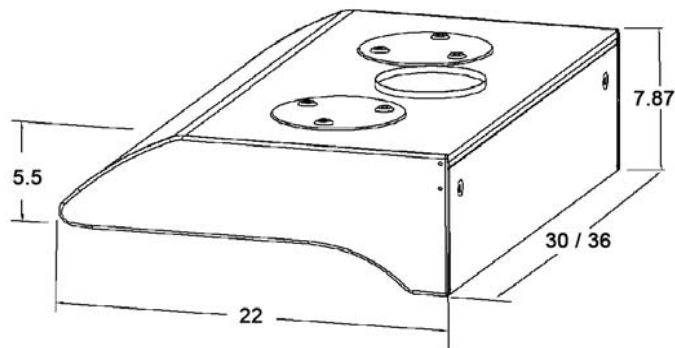
1. Mix the cleaner and water by pouring water and the cleaner to the marked level of the provided jar. (cleaner : water = 1 : 5)
2. Pour the cleaner mixture in the jar into the hidden cleaner storage unit of the cooker hood through the water hole as shown in the picture. The volume of the cleaner storage unit is identical to the volume of the jar.
3. If cleaner mixture comes out from the excess water hole down into the oil retainer, it means the cleaner storage unit is full and no more cleaner mixture shall be poured into the unit.
4. Press the " Auto Clean" button to start the motors and the cleaner will be discharged automatically and cleans the inside of the cook hood.
5. The oil retainer shall be taken out to remove the dirty oil once the dirty oil reaches the marked line to prevent spillage.

10. One Touch Automatic Cleaning Programme For CXW-200-04B

Precautions

1. Only special cooker hood cleaner available in the market shall be used.
2. Follow the water and cleaner mixture ratio marked on the supplied jar (ratio1:5).
3. Consumers are advised to clean the cooker hood once a day. It may be cleaned less frequently according to individual needs.
4. When filling the cooker hood with the cleaner mixture, use only the special jar provided with the cooker hood and take precautions not to overfill the cleaner storage unit.
5. Check the oil retainer during the cleaning process to prevent oil spillage. Do not allow dirty oil to exceed the marked level.
6. Do not put any other substances into the cleaner compartment unit as this will cause blockage of its injection hole.
7. The cleaner storage unit and the supplied jar are of identical size. The cleaner mixture stored can be used for 5 to 6 times. The cleaner storage unit may be refilled by diluted cleaner mixture every time after use. To prevent overfilling, excess cleaner mixture will be discharged into the oil retainer automatically.

11. Body Size



Unit: inch

12. Warranty

We will warrant this product free from defects in material and quality for one year and motor for 5 years. If any problems occur from correct usage, please contact the service department for under warranty service.

This warranty does not cover the following:

The filter mesh and bulb.

Commercial use.

Amendment of the date of manufacture on the rating plate.

Damaged caused to the body by usage of detergent sprayer.

Pollution made to the led parts, glass parts and S/S parts.

Incorrect installation, misuse, abuse or neglect.

Incorrectly fitted to insufficient or unsuitable power.

Taken apart or serviced by unauthorized service engineers or replaced with other manufacture's components.

For commercial use the maintenance and free service should be discussed with our authorized agent.

Beyond the 12 month limited warranty period, the purchaser should pay for charge of components and call out.

In the event of a service call, please provide the warranty card and receipt of date of purchase.